

Data sheet ePole back-to-back

Article no. i00021635

Mit der ePole back-to-back positionieren Sie bis zu zwei eBOX Wallboxen auf elegante Art an einem beliebigen Ort.

Die ePole back-to-back eignet sich für die Installation von zwei eBOX smart, professional oder touch inklusive eCLICK - jeweils mit oder ohne angeschlagenem Ladekabel, inklusive integrierten Kabelhaltern.



Technical data

General informationen

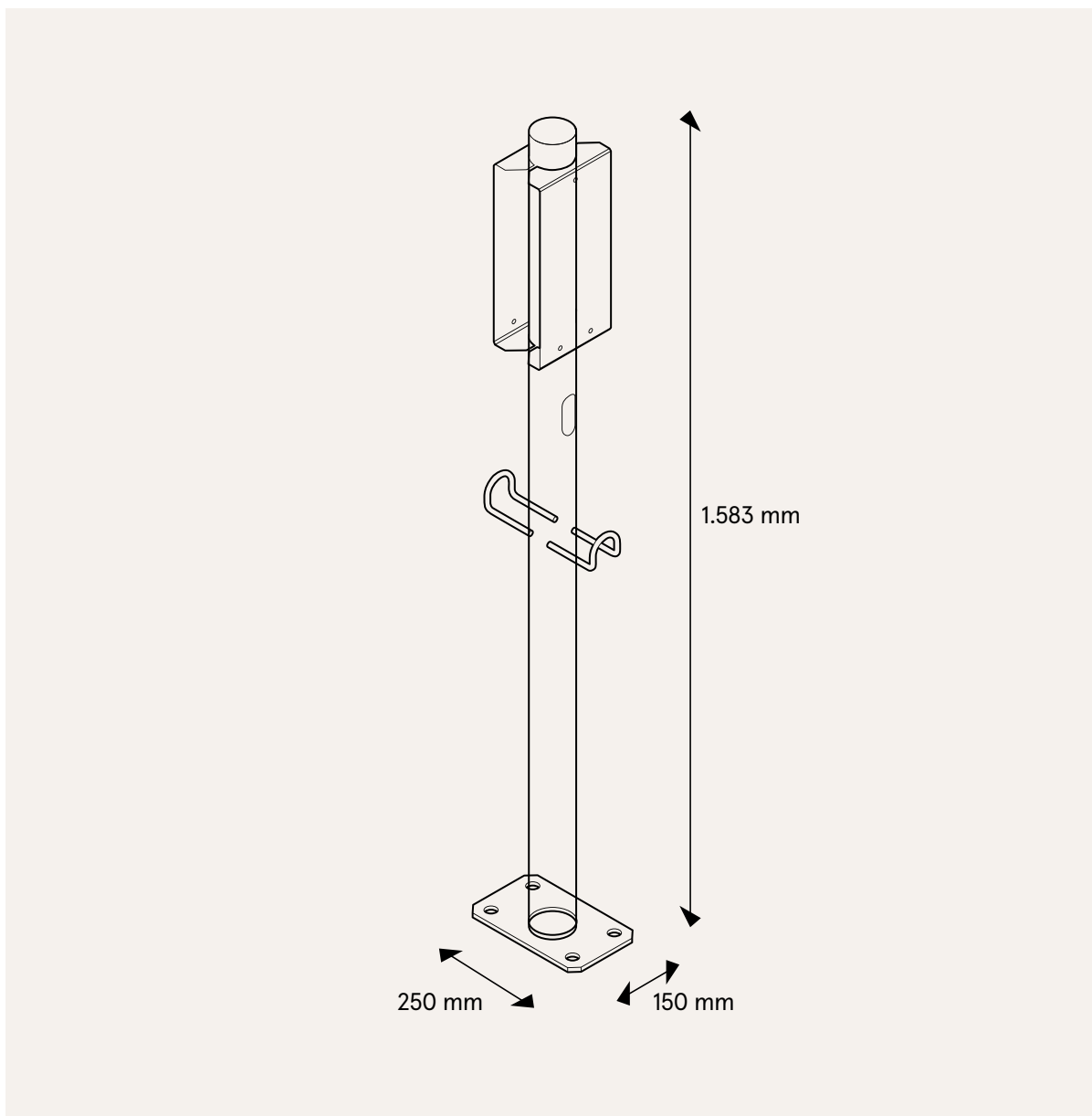
Product name	ePole back-to-back
Compatible charging stations	eBOX product family
Version	For up to two eBOX Wallboxes
Scope of delivery	Pole including fixing material

Mechanical details

Mounting type	Free-standing on concrete base
Supply line	2-fold (one per charging point), Supply line only possible from below, Cable cross-section max. 5 x 10 mm ² per supply line
Protection	No electrical components / IP 55 with eBOX
Security	Optional anti-theft device by locking with padlock
Dimensions (H x W x D)	Base mounting: 1.583 x 150 x 250 mm
Weight	Approx. 15,2 kg

Technical data

Technical drawing





The power to move



Compleo Charging Solutions GmbH & Co. KG

Ezzestraße 8
44379 Dortmund
Germany

info@compleo-cs.com
compleo-charging.com

©2024 Compleo. All rights reserved.

This document may not be copied or reproduced in any form or by any means, in whole or in part, without written permission. All illustrations in this document serve only as examples and may differ from the delivered product. All information in this document is subject to change without notice and does not represent a commitment on the part of the manufacturer.

Technical changes and errors excepted.